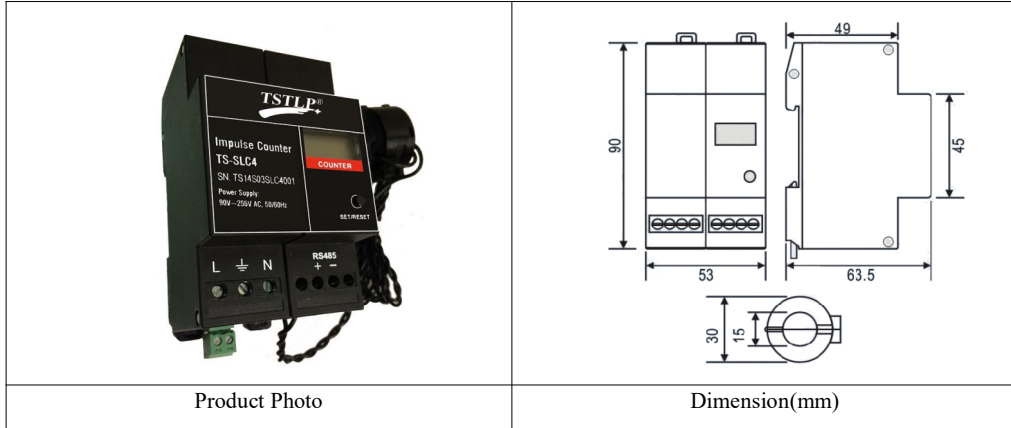




TSTLP®/TS-SLC4 Lightning Impulse Counter & Faults Reporter

INTRODUCTION: TS-SLC4 Lightning Impulse Counter is designed for counting the number of current discharged by surge protective devices to earth. The unit is equipped with an RM (Remote) input port, to detect any changes from the surge protective devices RM terminal, and remote location, distance approx. 300m maximum. as well as being able to communicate via RS485 the number of impulse counter recorded, and remote control for set and reset operation.



❖ TECHNICAL DATA

TSTLP® Model Num	TS-SLC4
Power Supply	AC 90V-255V, 50Hz/60Hz
Min count current	> 1KA, rise time 8~10μs
Sequence of impulse	> 1s
LCD indicator	4-digit (0~9999)
RS485 interface	RS485 remote communication display & control
Inductive line	1m long Twisted-pair
Enclosure material	Black thermoplastic, UL94-V0
Working Temperature	-10 °C ~ +50 °C
Installation	Mount on 35mm Din Rail or inside waterproof box
Dimension	53*63.5*90mm (L*W*H mm)
Compliance	CE (EMC, LVD & RoHS)

❖ MAIN CHARACTER

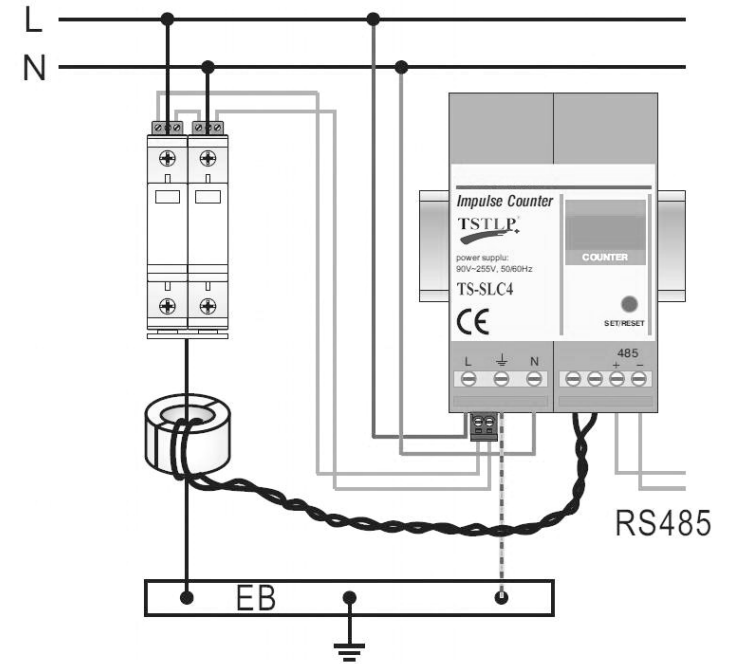
- ✓ 4 digits LCD display, with set and reset function
- ✓ RS485 remote communication function
- ✓ 3 standard module width
- ✓ Inductive loop (feed through with the earthing line of surge protector)
- ✓ 1m long inductive twisted pair

INSTALLATION INSTRUCTION

When installing the TSTLP® Lightning Impulse Counters the following should be considered:

- TS-SLC4 should be mounted away from areas where damage may occur due to theft, vandalism or nearby operations.
- TS-SLC4 can be enclosed in a security enclosure but the display should be kept visible to allow for the checking of recorded strikes.

INSTALLATION DIAGRAM FOR REFERENCE



WARNING:

1. The device must be installed by electrically skilled person, conforming to national standards and safety regulations.
2. It is recommended that installation should be done under power off condition.